


HBL2613 -- Twist-Lock Connector Body



2P3W, 30A 125V, L5-30R, Hi-Temp, Gray Nylon, 220° F / 104° C.

Product Specifications

| | |
|-----------------------------------|--|
| Product Type |  <p style="text-align: center;">Twist-Lock Devices</p> |
| Product Item | Connector Body |
| Wiring Scheme | 2 Pole, 3 Wire Grounding |
| Amperage | 30A |
| Voltage | 125V AC |
| NEMA Configuration | L5-30R |
| Item Style | Insulgrip |
| Device Color | Black/White |
| Cord Dia. | .360"-.930" (9-24) |
| Terminal Retainer Material | Clear polycarbonate |
| Housing Material | Black nylon |
| Cord Clamp Material | Natural (white) nylon |
| Terminal Clamp Material | .08" (2) steel-nickel plated |
| Terminal Screw Material | #10-32 Brass (white finish on neutral screw when used) Multi-drive |
| Ground Screw Material | #10-32 Brass (green finish) Multi-drive |

| | |
|--------------------------------------|--|
| Cord Clamp Screw Material | Steel, zinc plated Multi-drive |
| Body Holding Screw Material | Steel, zinc plated Multi-drive |
| Body Contact Carrier Material | Natural White Nylon |
| Contact Spring Material | Brass |
| Spring Binding Plate Material | Brass |
| Ground Contact Material | .031" (.8) Brass |
| Ratings | Molded into face. |
| Catalog No. | Permanently ink marked on body. |
| Dielectric Voltage Withstand | 2,000V minimum |
| Current Interrupting | Certified for current interrupting at full rated current. |
| Temperature Rise | Max 30 C temperature rise at full rated current after 50 cycles of overload at 150% of rated current at a power factor of .75. |
| Cord Accommodation | Round portable service cords of diameters commensurate with the device rating as defined in UL Standard 62, CSA C22.2 No. 49. |
| Terminal Accommodation | 30A #10 AWG |
| Terminal Identification | Terminals identified in accordance with UL 498 (X, Y, Z, White, Green) |
| Flammability | HB or better per UL 94 or CSA 22.2 No. 0.6 |
| Operating Temperatures | Maximum Continuous 75 C Minimum -40 C (w/o impact) |
| Moisture Resistance | IP20 |
| Listings | FED SPEC UL/CSA |
| M Drawings | Click here for M-Drawing |
| Catalog Page | Click here for catalog page B27 |
| Brochures | Click here for product brochure |
| Hubbellnet | Click here for Hubbellnet |
| Catalog Section | Click here for Section-B |
| UPC Number | 78358503876 |
| Weight in LBs | 0.3 |



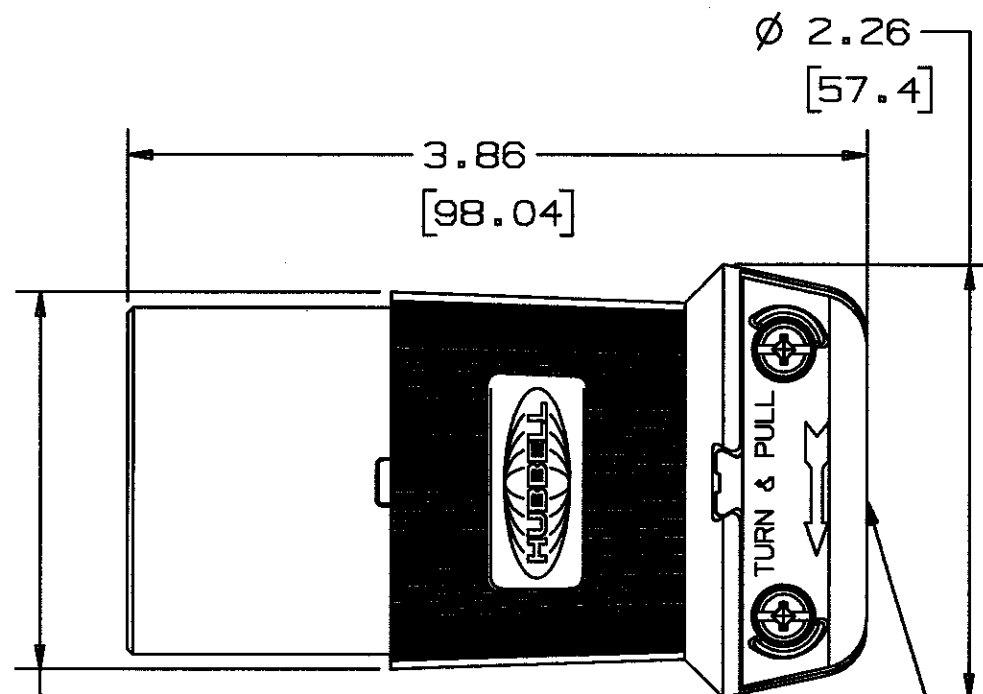
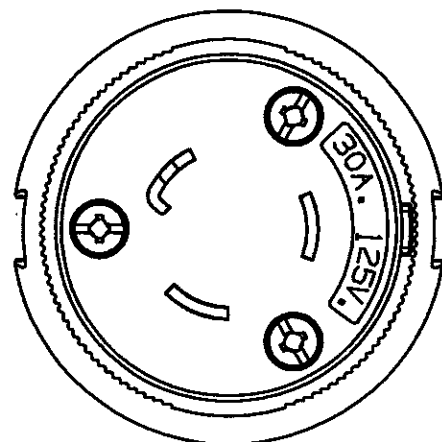
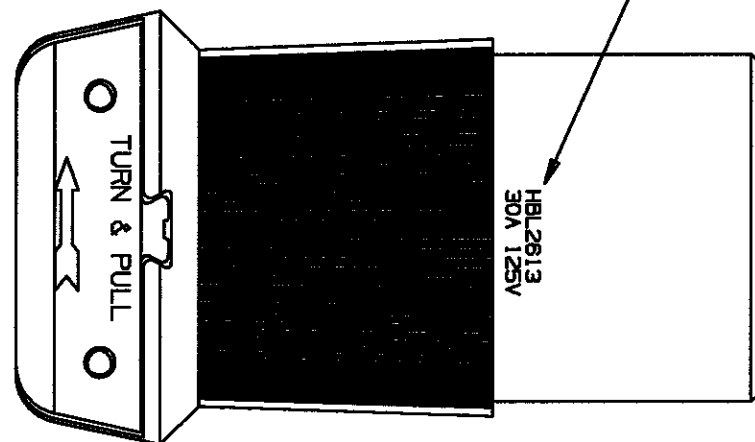
NEMA L5-30R
30A 125V
UL/CSA

NEMA
Configuration



M-7903 6

CAT NO. & RATING PRINTED ON CONTACT BODY, COLOR CODE BY VOLTAGE



CORD CLAMP RANGE
 ϕ .360-.930
 [9.14-23.62]

CORD RANGE:
 14/3 - 10/3 TYPE SJ
 16/3 - 8/3 TYPE S

NOTE:
 ALL SCREWS ARE COMBINATION PHILLIPS/SLOTTED/ROBERTSON HEAD.

LIST OF PARTS

| DESCRIPTION | MATERIAL | FINISH |
|---------------------|-----------------|--------------|
| COVER | NYLON | BLACK |
| CORD CLAMP | NYLON | NATURAL |
| CONTACT BODY | NYLON | NATURAL |
| RETAINER | POLY CARBONATE | CLEAR |
| CONTACTS | .031/.040 BRASS | |
| WIRE CLAMP | .080 CRS | NICKEL PLATE |
| #10 TERMINAL SCREWS | BRASS | [A] |
| #10 GROUND SCREW | BRASS | GREEN |
| ASSEMBLY FASTENERS | STEEL | ZINC PLATE |

- [A] WHITE FINISH ON NEUTRAL CONTACT WHEN USED.
- [B] CM DEVICES SAME AS ABOVE EXCEPT:
 COVER & CORD CLAMP YELLOW
 TERMINAL SCREWS & CONTACT-NICKEL PLATED
 WIRE CLAMPS - BRASS, NICKEL PLATE
 ASSEM FASTENERS - STAINLESS STEEL
- [C] BK DEVICES ARE SAME AS ABOVE EXCEPT ALL BLACK

DIMENSION SHEET FOR CAT. NO. M-7903
 REPAIRABLE NON-REPAIRABLE

| NEMA NO. | RATING | POLE/WIRE | CAT NO. | CORROSION** RESISTANT | VOLTAGE COLOR CODE | UL | CSA | FED SPEC |
|----------|--------|-----------------|--------------------------------------|-----------------------|--------------------|-----|-----|----------|
| L5-30R | 125V | 2P/3W GROUNDING | HBL2613 HBL2613F HBL2613BK [C] | HBL26CM13 | YELLOW | YES | YES | YES |
| L6-30R | 250V | 2P/3W GROUNDING | HBL2623 HBL2623BK [C] | HBL26CM23 | BLUE | YES | YES | YES |
| L7-30R | 277VAC | 2P/3W GROUNDING | HBL2633 | ----- | GRAY | YES | YES | YES |
| L8-30R | 480VAC | 2P/3W GROUNDING | HBL2643 | ----- | RED | YES | YES | YES |
| L9-30R | 600VAC | 2P/3W GROUNDING | HBL2653 | ----- | BLACK | YES | YES | YES |

LEGEND: IN. [mm]

| | | | |
|-----|---|-----|--------|
| 6 | REMOVED TOLS. FROM DIMS.; ADDED CORD RANGE & DIAMETER RANGE TO "CORD CLAMP" CALLOUT PER DCN 11802 RCM | JPP | 1/8/05 |
| SYM | REVISIONS | APP | DATE |

THE DESIGN AND DIMENSIONS OF THE PRODUCT SHOWN ON THIS DRAWING ARE SUBJECT TO CHANGE WITHOUT NOTICE

TITLE 30A 3-WIRE TWIST-LOCK CONNECTOR

| | | | |
|---------------------------------------|--------------|---|---------------|
| TOLERANCES UNLESS OTHERWISE SPECIFIED | | WIRING DEVICE-KELLEMS HUBBELL INCORPORATED BRIDGEPORT, CT | |
| FRACTIONS N/A | DECIMALS N/A | DR. BY B.C. | APP. BY ZIMM |
| ANGLES N/A | | TR. BY | SCALE NONE |
| | | CHK'D BY ZIMM | DATE 03/02/98 |

TWIST-LOCK® Devices

2 Pole, 3 Wire Grounding

30 Ampere, 125, 250 Volts and 277 Volts AC

Receptacles, INSULGRIP® Connector Bodies, Flanged Devices and Plugs



NEMA L5-30R
30A 125V
UL/CSA
2 HP



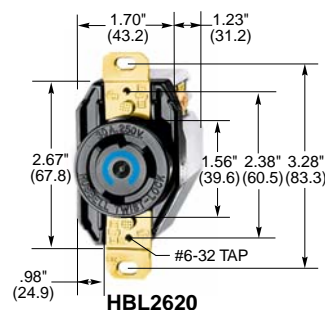
NEMA L6-30R
30A 250V
UL/CSA
2 HP



NEMA L7-30R
30A 277V AC
UL/CSA
3 HP

Single Flush Receptacles, Back and Side Wired

| Description | Catalog Numbers | | |
|---|------------------|----------------|----------------|
| Black nylon face. | HBL2610 | HBL2620 | HBL2630 |
| Isolated ground, orange nylon face. | IG2610 | IG2620 | - |
| Corrosion resistant, yellow nylon face. | HBL26CM10 | | - |



Insulgrip Connector Bodies IP20 SUITABILITY

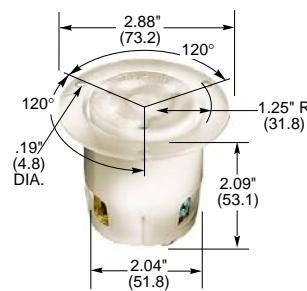
| Description | Catalog Numbers | | |
|---|------------------|------------------|----------------|
| Black and white nylon. | HBL2613 | HBL2623 | HBL2633 |
| Heat stabilized, gray nylon, 220° F (104° C). | HBL2613F | HBL2623F | - |
| Corrosion resistant, yellow nylon. | HBL26CM13 | HBL26CM23 | - |

Note: Cord clamp range .360"-.930" (9-24).



Insulgrip Flanged Receptacles

| Description | Catalog Numbers | | |
|---|-----------------|-----------------|----------------|
| Nylon casing, back wired. | HBL2616 | HBL2626 | HBL2636 |
| Heat stabilized, gray nylon, 220° F (104° C). | HBL2616F | HBL2626F | - |



Insulgrip Plugs IP20 SUITABILITY

| Description | Catalog Numbers | | |
|---|------------------|------------------|----------------|
| Black and white nylon. | HBL2611 | HBL2621 | HBL2631 |
| Heat stabilized, gray nylon, 220° F (104° C). | HBL2611F | HBL2621F | - |
| Corrosion resistant, yellow nylon. | HBL26CM11 | HBL26CM21 | - |

Notes: Cord clamp range .360"-.930" (9-24).

See page B-73 for Add-A-Shroud™ kit.



Insulgrip Flanged Inlets

| Description | Catalog Numbers | | |
|---|-----------------|-----------------|----------------|
| Nylon casing, back wired. | HBL2615 | HBL2625 | HBL2635 |
| Heat stabilized, gray nylon, 220° F (104° C). | HBL2615F | HBL2625F | - |

Notes: All HP ratings are AC only. Only receptacles and plugs are HP rated.

For technical information see page B-83.

For accessories see pages B-68 and B-69.

See page B-63 for switched enclosure.

